

WAP-profiles

Skirting boards for kitchen worktops.

We know wood, so we understand that “where there is planing, there are shavings”. The same goes for the kitchen. Cooking means steam, fat splatters, people clean with strong chemicals, leaks and spills happen. To prevent all of this from running down behind the counter, the joint between the wall and the worktop must be covered.

This is the job of our “WAPs”, or wall connection profiles. These are available in different sizes and designs that perfectly match the counter top.

All profiles have sealing lips that press firmly against the wall during installation and prevent grease, moisture or dirt from penetrating into the joint behind. The surfaces are equipped in such a way that they can be easily cleaned and are as durable as possible.

Profile lengths: 3000 mm / 9,84 ft. and 590 mm / 1,94 ft.

Length KU034: 2400 mm / 7,87 ft.

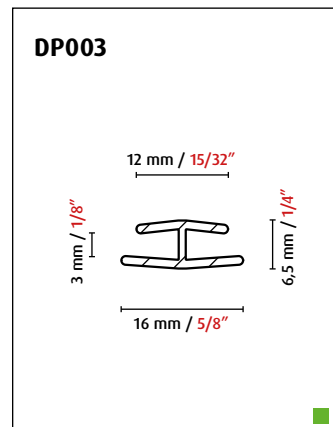
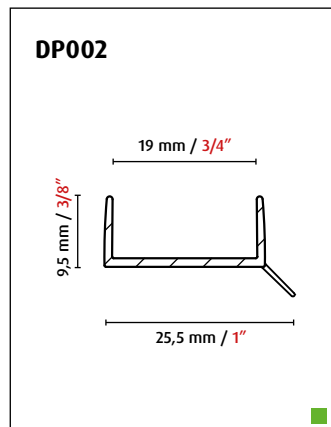
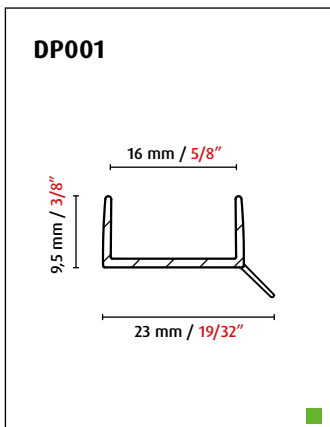
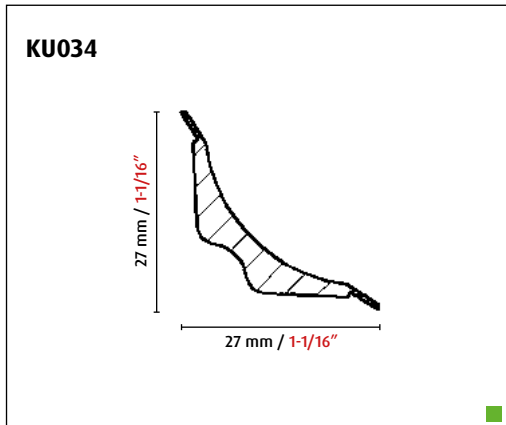
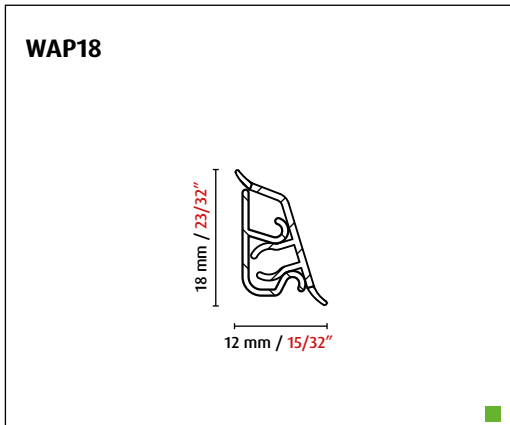
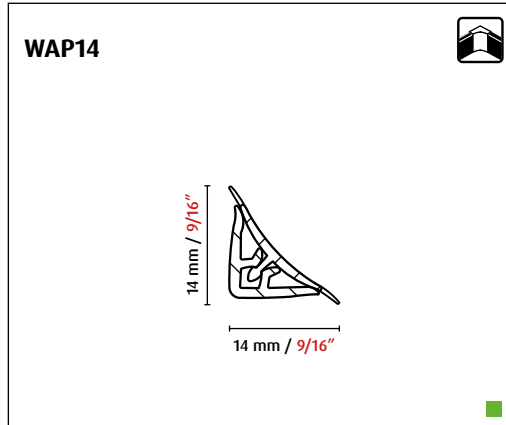
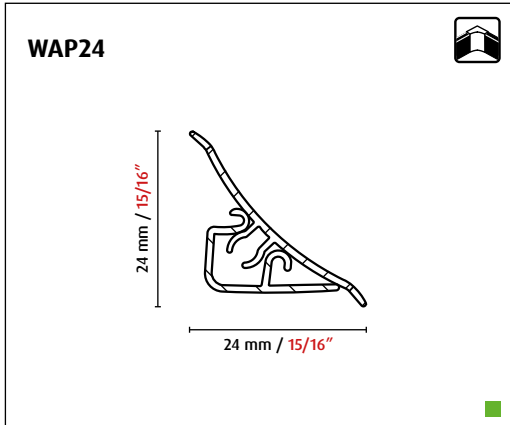
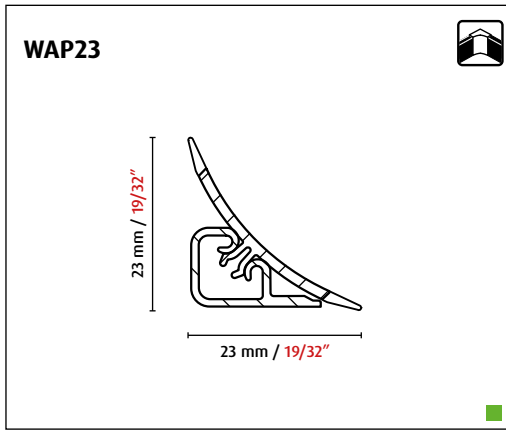
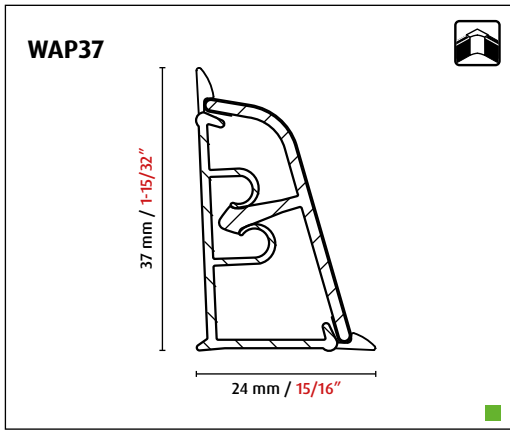
Special lengths available on request



Product advantages:

- The skirting can be matched to the countertop.
- Sealing lips on the profiles or the subprofiles protect against moisture.
- Simple clip profiles with covered fastening.
- The product range also includes end sealing strips for plinth panels.





Accessories WAP 37



Accessories WAP 23 and WAP 24

